

Model 3620

Pool Lift Chair

Comfortably in and out of the water



SUREHANDS®



- Easy to use.
- Ergonomic sitting position.
- Sturdy design. PVC for quick dry.
- Waist band to secure user.
- Fits in any (shower) wheelchair.
- For children and adults.

Specialists in innovative and reliable lift & care systems

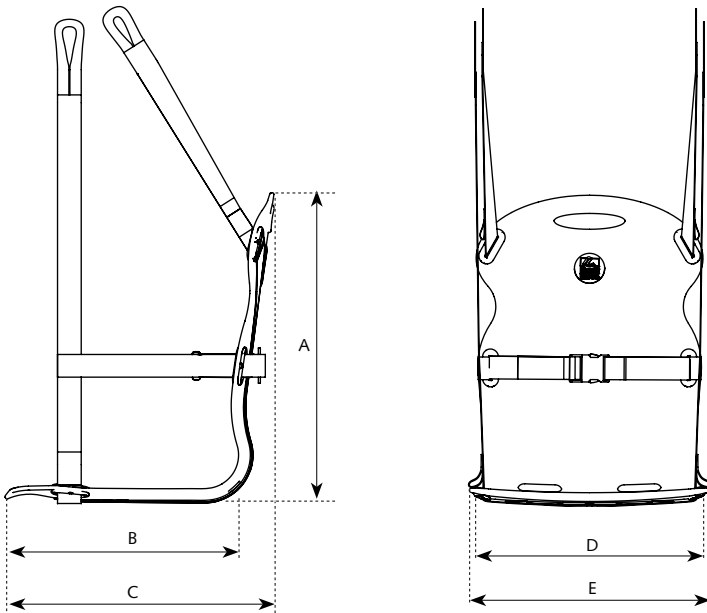
www.surehands.com



Pool Lift Chair

● Dimensions and specifications

A	23.62 inch / 600 mm
B	17.72 inch / 450 mm
C	19.69 inch / 500 mm
D	17.72 inch / 450 mm
E	18.70 inch / 475 mm



Chair	100% PVC
Bands	100% Polyester
Band guides.....	100% Hostaform
Safety clip.....	100% stainless steel
Weight	12.12 Lbs / 5.5 kg
Expected lifespan.....	10 years
Maximum load	400 Lbs / 182 kg

Local Representative

Lift & Care® is a registered trademark of T.F. Herceg, Inc. dba SUREHANDS LIFT & CARE SYSTEMS.

© 12-04-2023 • Handi-Move • v1.0