

Model 3473-3478

Seat sling pool/bath PVC

Comfortable in the water



SUREHANDS®



- Made of PVC for flexibility, strength, and easy maintenance
- Slight recline position offers safe support during lifting
- Fits into wheelchair or chair for ease of use
- Seat is perforated to let water flow out... dries easily
- Can be used with all SureHands Lift & Care Systems
- Assumes the form of the bath
- Reinforced seating surface and backrest
- Adjustable loop length

Lift & Care systems for people with reduced mobility

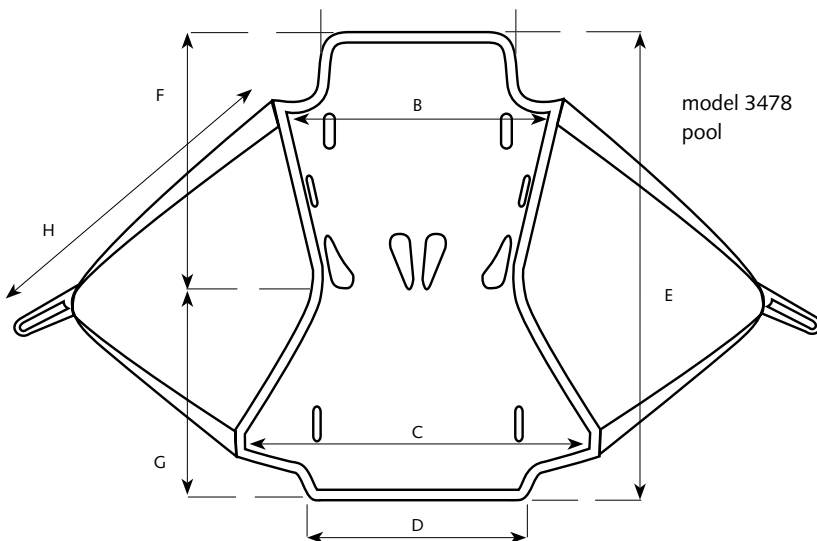
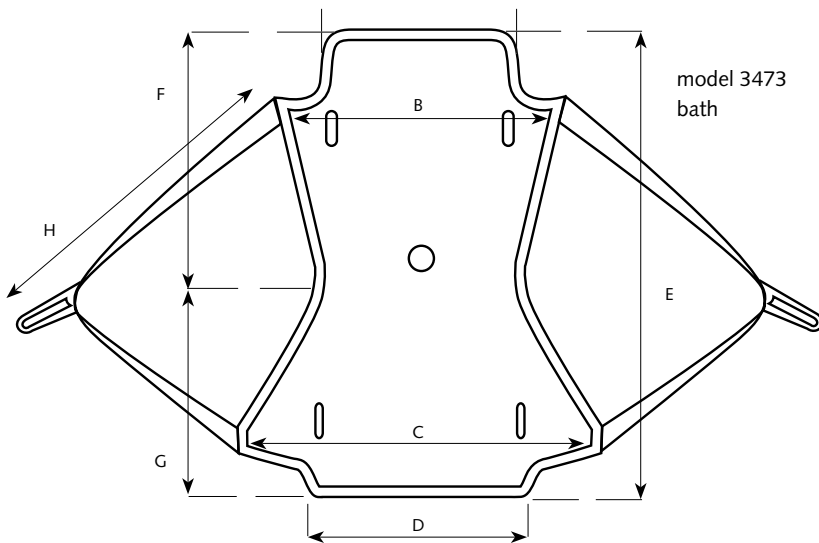
www.surehands.com

Seat sling pool/bath PVC

● Dimensions and specifications

A.....	38 / 14.96 (cm / inch)
B.....	58 / 22.83
C.....	65 / 25.59
D.....	38 / 14.96
E.....	101 / 39.76
F.....	60 / 23.62
G.....	41 / 16.14
H.....	60 / 23.62

Material: PVC, polyester, plastic
 Maximum load: 496 Lbs



Local Representative

Lift & Care® is a registered trademark of
 T.F. Herceg, Inc. dba SUREHANDS LIFT & CARE SYSTEMS.

© 13-11-2015 • Handi-Move • v1.2