

Handi-Move model 3471 S - M - L

Walking harness

Support during rehabilitation



SUREHANDS®



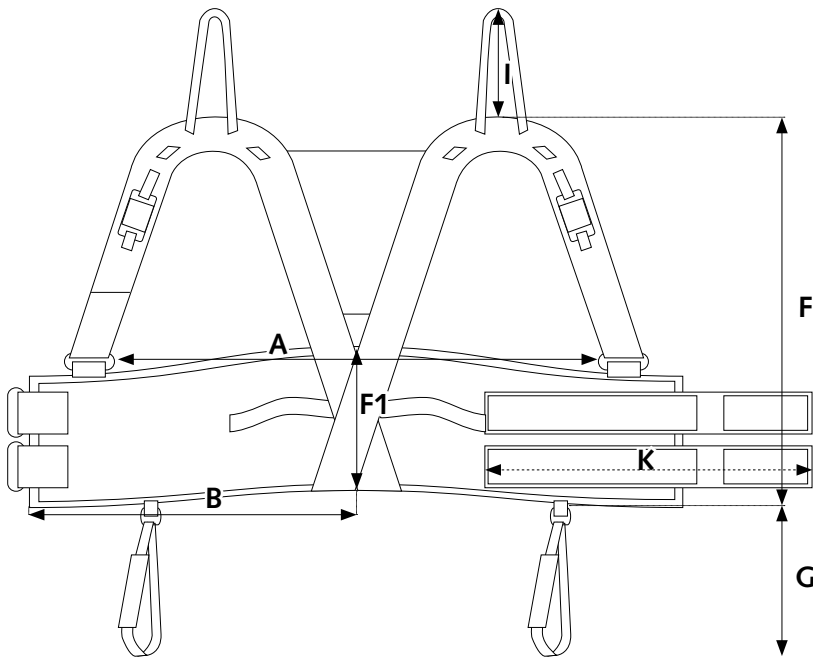
- Facilitates ambulation
- Supports body weight
- Prevents falling
- Adjustable to fit body shape
- Available in S, M and L

Specialists in innovative and reliable lift & care systems

www.surehands.com

Walking harness

● Dimensions (inch/cm)



	3471S	3471M	3471L
A	18.5 / 47.00	25.2 / 64.00	31.1 / 79.00
B	12.2 / 31.00	15.4 / 39.00	18.5 / 47.00
F (min)	13.8 / 35.00	14.6 / 37.00	15.4 / 39.00
F (max)	21.3 / 54.00	22 / 56.00	22.8 / 58.00
F1	09.1 / 23.00	9.8 / 25.00	10.6 / 27.00
G	15.7 / 40.00	17.7 / 45.00	17.7 / 45.00
I	15 / 38.00	15 / 38.00	15 / 38.00
K	20.3 / 51.50	24.6 / 62.50	24.6 / 62.50

● Technical specifications

Material PVC, plastic, polyester
 Maximum load 496 lbs

Local Representative

Lift & Care® is a registered trademark of
 T.F. Herceg, Inc. dba SUREHANDS LIFT & CARE SYSTEMS.

© 22-06-2017 • Handi-Move • v 1-2