

Model 1030-1035

# SureHands® Body Support



SUREHANDS®

The body support enables you to live more independently



- Lifts and transfers quickly, easily and safely
- Can be used independently or with an attendant
- Move from wheelchair to bed, bath, shower, toilet...
- Ideal for aquatic, hippo and ambulation therapies
- Leaves the seat entirely free - convenient for toilet use
- Comfortable and ergonomic sitting position
- Patented thigh supports designed for extra comfort
- Hygienic. Easy to clean

Specialists in innovative and reliable lift & care systems

[www.surehands.com](http://www.surehands.com)

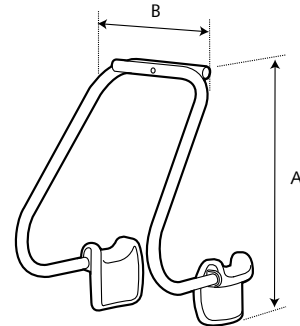


# SureHands® Body Support

## ● Dimensions (inch / mm)

	M	S	XS
A	31.1 / 790	27.95 / 710	26.38 / 670
B	18.9 / 480		

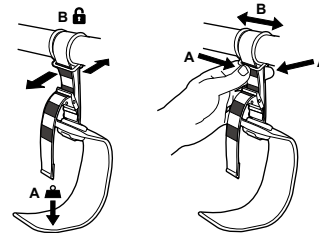
■ Size determined by lifting height requirements.



## ● Thigh supports

The thigh supports are key to the function of the Body Support while ensuring the user is in a comfortable and proper position.

Under the weight of the user, the self-locking feature holds the thigh supports in position. Once the weight is gone, they can easily be moved.



## ● Technical specifications

Material "arms" ..... 316 stainless steel  
 Material "hands" ..... polyurethane

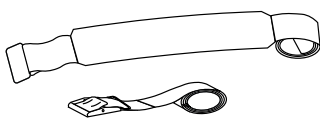
## ● Versions (M - S - XS)

1030 - Standard

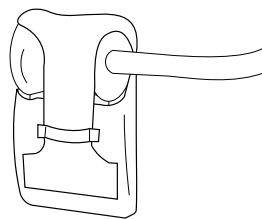
1035 - For the swimming pool: electropolished

## ● Accessories

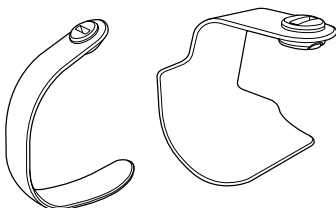
Security band (large and small)



Cushions for curve-around cups



Thigh supports in different dimensions and materials



Fabric covers for thigh supports



Local Representative

Lift & Care® is a registered trademark of T.F. Herceg, Inc. dba SUREHANDS LIFT & CARE SYSTEMS.

© 30-09-2015 • Handi-Move • v1.0