

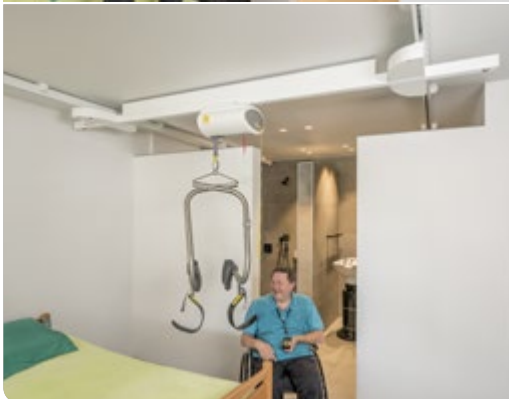
Model 3990-3992

# Electric Traverse Rail

Independent Full Room Coverage



SUREHANDS®

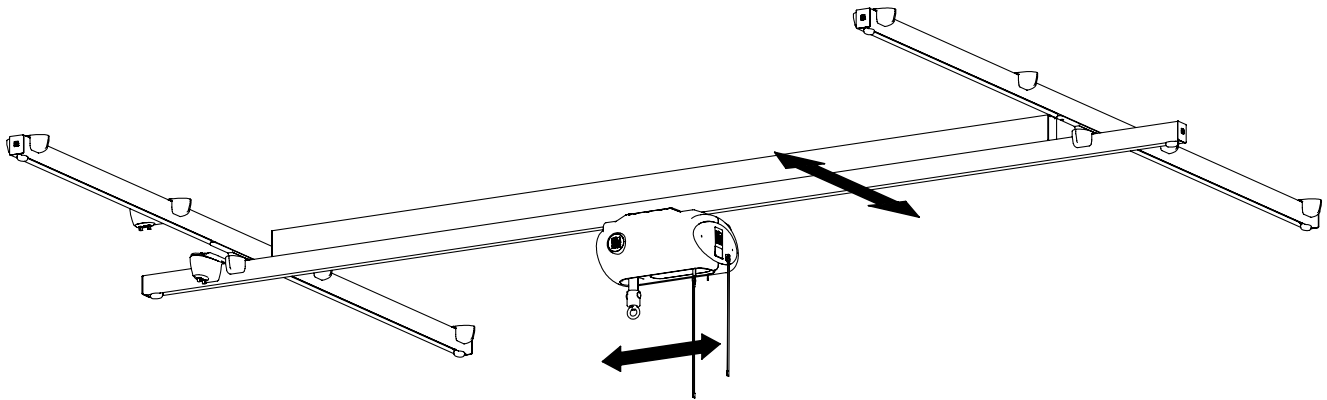


- Transfer anywhere in the room independently using the SureHands Body Support and IR remote.
- Parallel rails can be mounted to the ceiling or wall to wall.
- Access an adjoining room with the traverse connector (optional).

Specialists in innovative and reliable lift & care systems

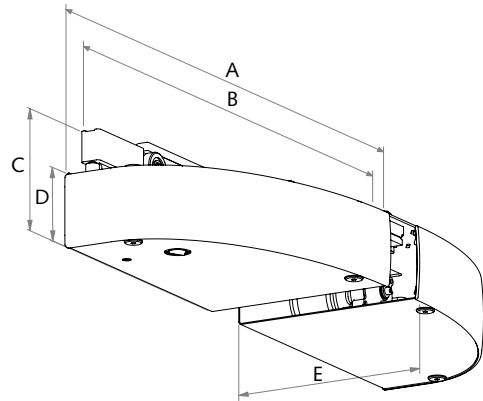
[www.surehands.com](http://www.surehands.com)

# Electric Traverse Rail



## ● Dimensions (inch / mm)

A	602 mm / 23.7 inch
B	542.5 mm / 21.36 inch
C	118.5 mm / 4.66 inch
D	71.5 mm / 2.81 inch
E	196 mm / 7.72 inch



## ● Technical specifications

Safe working load..... 240 kg / 529 lbs  
 Power supply..... Batteries 2 x 12 V DC / 3,2 Ah  
 Rails .....Aluminum lacquered white  
 Acceleration and brake (soft start/stop) .....Electronic  
 Cover .....ABS, steel lacquered white  
 Handcontrol ..... Infrared  
 Charger ..... Input: 0,9 A 100-240 Vac 50-60 Hz, class II  
 ..... Output: 24 Vdc 1,2 A (type 2541)

Local Representative

Lift & Care® is a registered trademark of  
 T.F. Herceg, Inc. dba SUREHANDS LIFT & CARE SYSTEMS.

© 16-09-2021 • Handi-Move • v1.0