

Model 3960-3963

# Turntable

Smooth 4 Way Transfers



SUREHANDS®



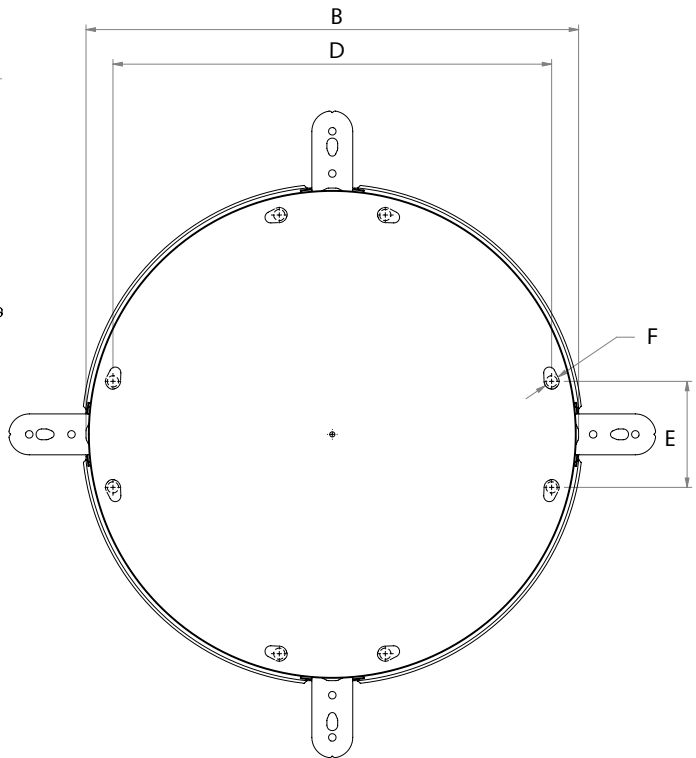
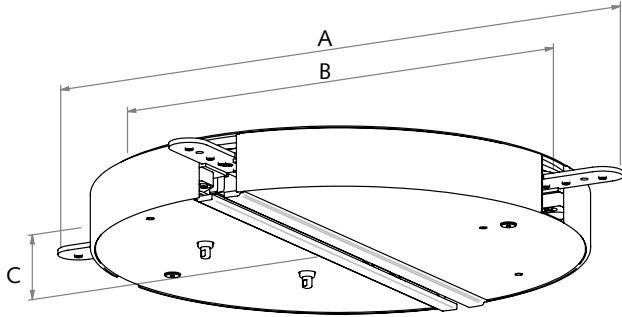
- Access several rooms and reach different locations with one system.
- Go where transfers are needed, the bed, toilet, bathtub, shower, change table, or recliner.
- Ideal for small spaces requiring access to multiple transfer locations.
- Wireless remote control version is available.

Specialists in innovative and reliable lift & care systems

[www.surehands.com](http://www.surehands.com)

# Turntable

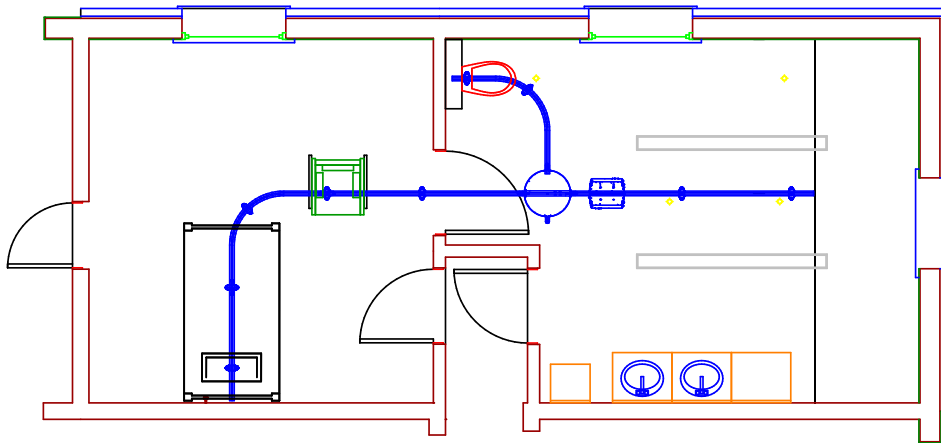
## ● Dimensions (inch / mm)



A .....	27.17 / 690
B .....	∅ 20.67 / 525
C .....	2.81 / 71.5
D .....	18.40 / 467.5
E .....	4.45 / 113
F .....	∅ 0.63 / 16

## ● Technical specifications

Safe working load .....	529 lbs / 240 kg
Power supply .....	Works on ceiling motor batteries
Material .....	Aluminum painted, ELVZ steel, POM, ABS



Local Representative

Lift & Care® is a registered trademark of  
T.F. Herceg, Inc. dba SUREHANDS LIFT & CARE SYSTEMS.

© 10-04-2020 • Handi-Move • v1.0