

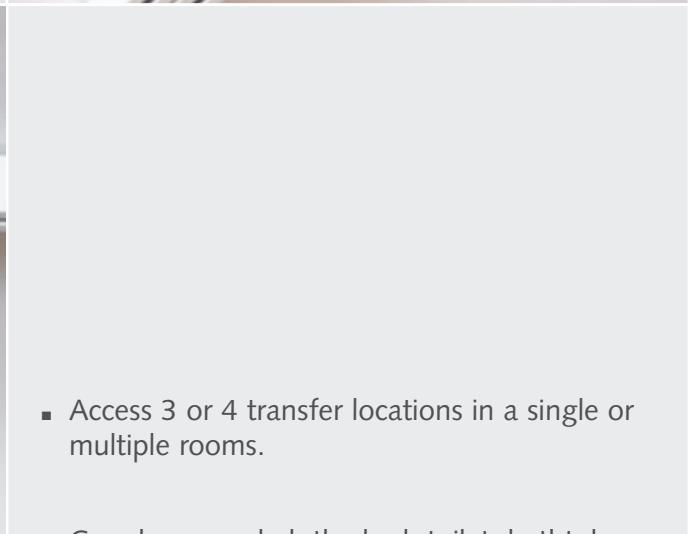
Model 3950-3953

Points



Smooth 3 or 4 Way Transfers

SUREHANDS®

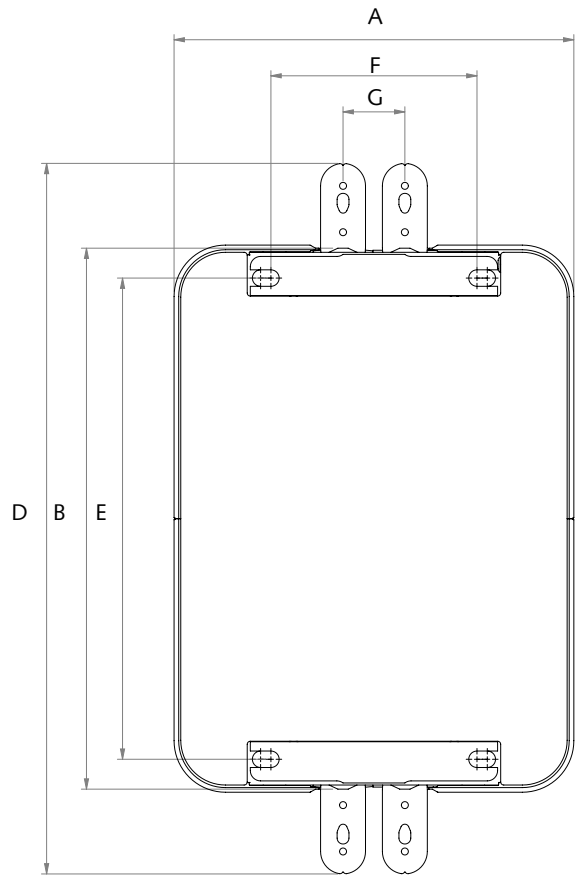
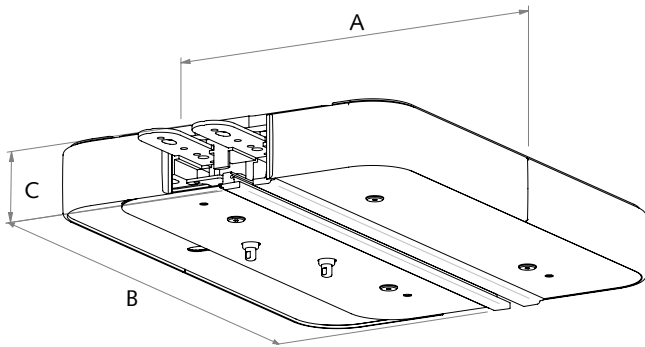


- Access 3 or 4 transfer locations in a single or multiple rooms.
- Go where needed, the bed, toilet, bathtub, shower, change table or chair.
- Wireless remote control version is available.

Specialists in innovative and reliable lift & care systems

www.surehands.com

Points

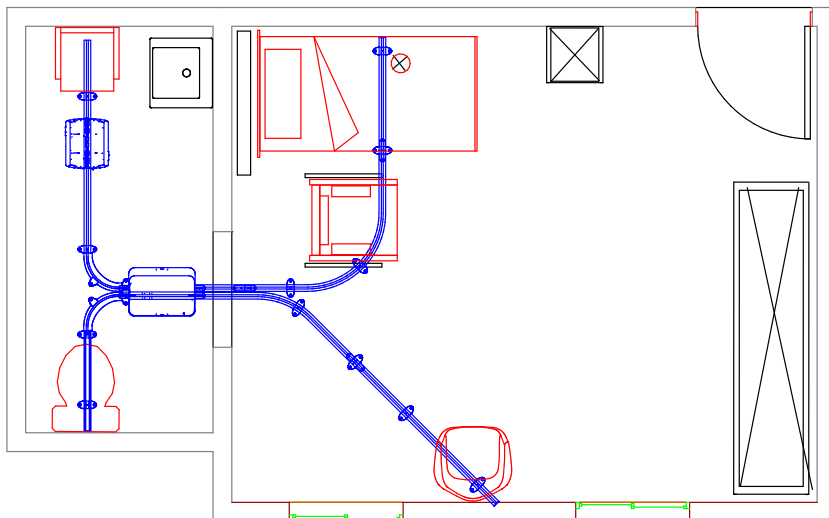


● Dimensions (inch / mm)

A.....	15.28 / 388
B.....	20.91 / 531
C.....	2.81 / 71.5
D.....	27.17 / 690
E.....	18.39 / 467
F.....	7.87-8.66 / 200-220
G.....	2.36 / 60

● Technical specifications

Safe working load.....529 lbs / 240 kg
 Power supply..... Works on ceiling motor batteries
 Material.....Aluminum painted, ELVZ steel, POM, ABS



Local Representative

Lift & Care® is a registered trademark of T.F. Herceg, Inc. dba SUREHANDS LIFT & CARE SYSTEMS.

© 03-09-2020 • Handi-Move • v1.1