

## Portable ceiling motor with "tarzan" system

Modified version of the portable motor.  
"Tarzan" or "swing" under door between adjoining room

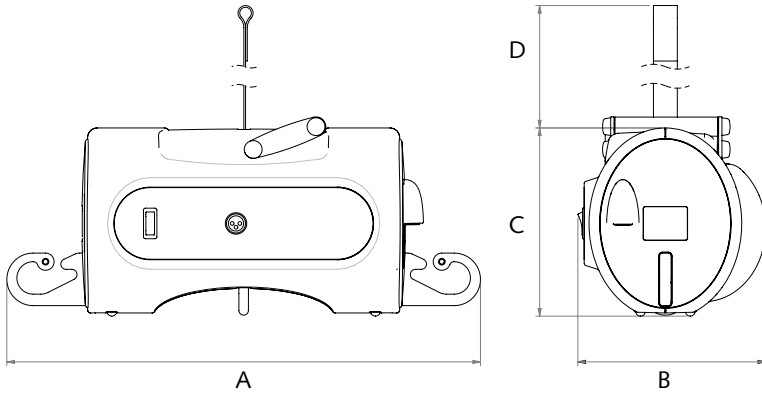


- Go under a doorway to access adjoining rooms.
- No need to modify the doorway.
- Light, compact, only 17 ½ lbs, yet powerful: lifts to 400 lbs.
- Streamlined design fits home aesthetics.
- Economical: multiple transfers with one motor.
- Use with Body Support or slings.
- 15-year design life that you can count on.
- Option: transport trolley for the portable motor.

Specialists in innovative and reliable lift & care systems

# Portable ceiling motor with "tarzan" system

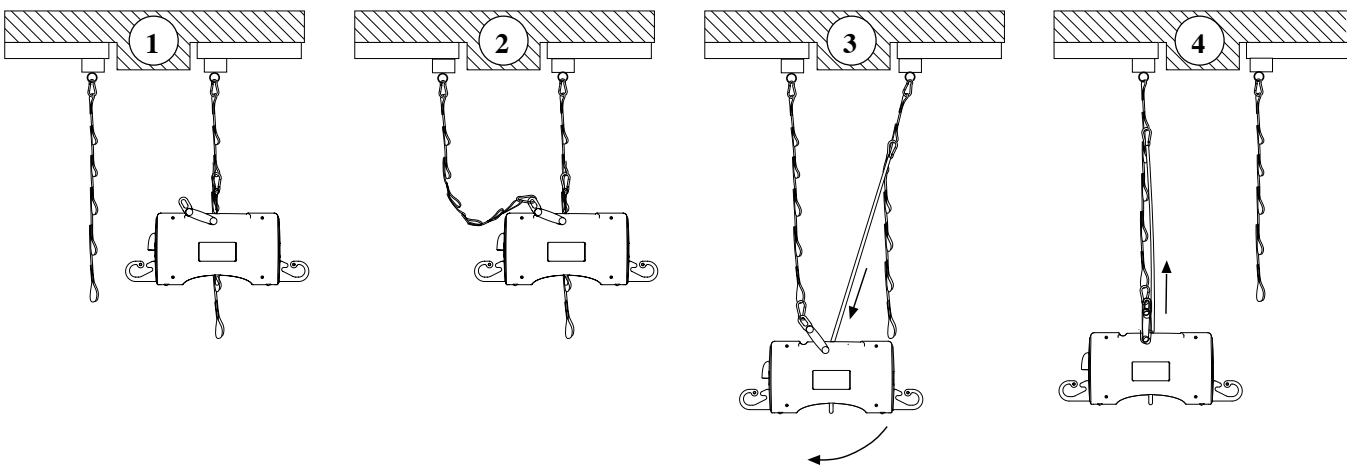
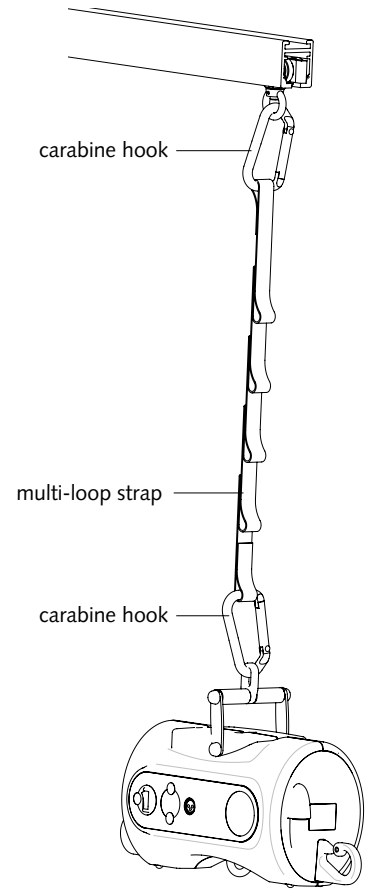
## ● Dimensions



A	18.89 inch - 480 mm
B	7.8 inch - 200 mm
C	8.27 inch - 210 mm
D	61.02 inch - 1550 mm

## ● Specifications

Weight ..... 17.5 Lbs - 8 kg  
 Max. Lifting Capacity ..... 400 Lbs - 182 kg  
 Batteries ..... 2 x 12 VDC/3.2 Ah.  
 Charger: ..... input 220 V AC / output 24 V DC  
 Number of lifts with full batteries..... 50 x with 220 Lbs - 100 kg over a distance of 19.5 inch - 50 cm  
 Motor cover ..... ABS  
 Emergency down ..... Electric  
 Overhead rail composition..... Aluminum alloy, white laquered



## ● With slings or Body Support

Thanks to the integrated hooks on both sides of the motor and the swivel hook placed centrally at the bottom, the motor can be used with all slings or with the Handi-Move

Lift & Care® is a registered trademark of T.F. Herceg, Inc. dba SUREHANDS LIFT & CARE SYSTEMS.

© 10-09-2023 • Handi-Move • v1.0

Local Representative

